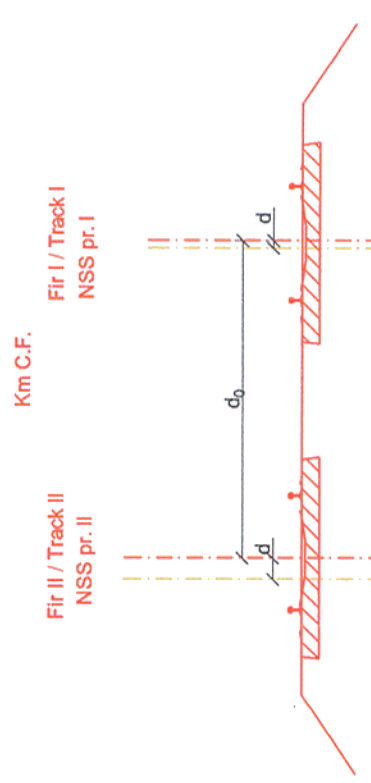


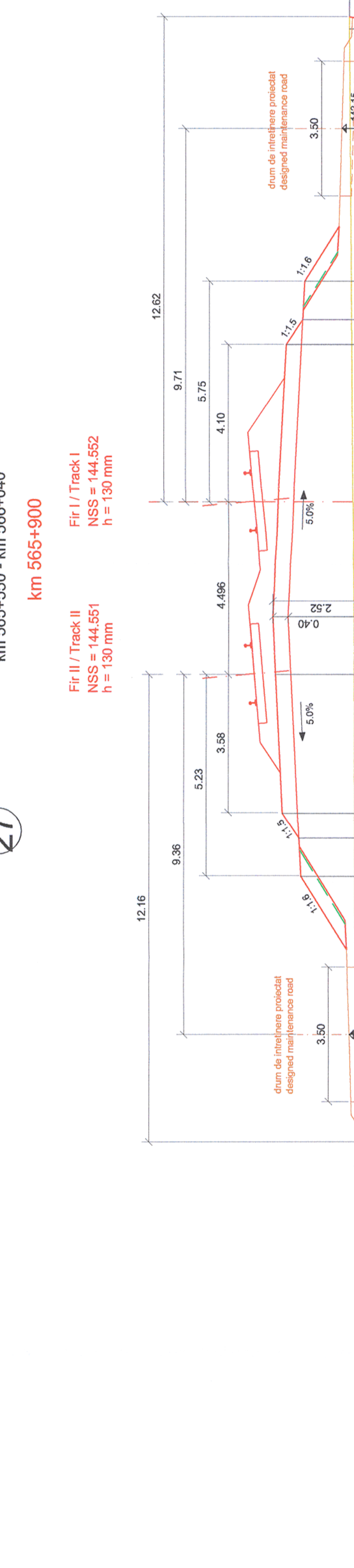
LEGENDA / LEGEND



LEGENDA / LEGEND

- Km c.f.** - kilometraj c.f. / railway kilometer
- NSSpr I** - nivel superior și/să fir I proiectat / top of the rail of the designed track I
- NSSpr II** - nivel superior și/să fir II proiectat / top of the rail of the designed track II
- d_0 - distanța între axele proiectate / distance between the designed tracks axes
- d - distanța între firul proiectat și firul existent / distance between the designed track and the existing track
- DN - diametru nominal tub de dren / nominal diameter of collecting pipeline
- CT - cotă fund tub dren / pipe bottom of collecting pipeline
- geogriță / geogrid
- geotextil / geotextile
- geodren / geodrain
- georătea / geo-nets
- protecție taluz cu arncamente / riprap slope protection
- ax c.f. existent, părăsit în circulație / existing railway axis, in use
- ax c.f. existent, demontat / dismantled existing railway axis
- cabluri semnalizare și telecomunicații / signalling and telecommunications cables

27 Profil transversal aplicabil între / Cross section applicable between km 565+550 - km 566+040



Cote proiect / Project levels	Cote existente / Existing levels	Distanțe / Distance
143.801	141.825	0.000
143.950	141.825	2.983
143.956	141.825	4.100
143.163	141.825	4.749
143.113	141.825	5.749
143.211	141.805	9.746
143.261	141.805	8.746
143.694	141.805	8.096
143.574	141.805	4.496
143.901	141.805	4.114
143.950	141.805	2.983
143.956	141.805	4.100
143.163	141.805	4.749
143.113	141.805	5.749
143.801	141.805	0.000
143.950	141.805	2.983
143.956	141.805	4.100
143.163	141.805	4.749
143.113	141.805	5.749
143.211	141.805	9.746
143.261	141.805	8.746
143.694	141.805	8.096
143.574	141.805	4.496
143.901	141.805	4.114
143.950	141.805	2.983
143.956	141.805	4.100
143.163	141.805	4.749
143.113	141.805	5.749
143.801	141.805	0.000
143.950	141.805	2.983
143.956	141.805	4.100
143.163	141.805	4.749
143.113	141.805	5.749
143.211	141.805	9.746
143.261	141.805	8.746
143.694	141.805	8.096
143.574	141.805	4.496
143.901	141.805	4.114
143.950	141.805	2.983
143.956	141.805	4.100
143.163	141.805	4.749
143.113	141.805	5.749
143.801	141.805	0.000
143.950	141.805	2.983
143.956	141.805	4.100
143.163	141.805	4.749
143.113	141.805	5.749
143.211	141.805	9.746
143.261	141.805	8.746
143.694	141.805	8.096
143.574	141.805	4.496
143.901	141.805	4.114
143.950	141.805	2.983
143.956	141.805	4.100
143.163	141.805	4.749
143.113	141.805	5.749
143.801	141.805	0.000
143.950	141.805	2.983
143.956	141.805	4.100
143.163	141.805	4.749
143.113	141.805	5.749
143.211	141.805	9.746
143.261	141.805	8.746
143.694	141.805	8.096
143.574	141.805	4.496
143.901	141.805	4.114
143.950	141.805	2.983
143.956	141.805	4.100
143.163	141.805	4.749
143.113	141.805	5.749
143.801	141.805	0.000
143.950	141.805	2.983
143.956	141.805	4.100
143.163	141.805	4.749
143.113	141.805	5.749
143.211	141.805	9.746
143.261	141.805	8.746
143.694	141.805	8.096
143.574	141.805	4.496
143.901	141.805	4.114
143.950	141.805	2.983
143.956	141.805	4.100
143.163	141.805	4.749
143.113	141.805	5.749
143.801	141.805	0.000
143.950	141.805	2.983
143.956	141.805	4.100
143.163	141.805	4.749
143.113	141.805	5.749
143.211	141.805	9.746
143.261	141.805	8.746
143.694	141.805	8.096
143.574	141.805	4.496
143.901	141.805	4.114
143.950	141.805	2.983
143.956	141.805	4.100
143.163	141.805	4.749
143.113	141.805	5.749
143.801	141.805	0.000
143.950	141.805	2.983
143.956	141.805	4.100
143.163	141.805	4.749
143.113	141.805	5.749
143.211	141.805	9.746
143.261	141.805	8.746
143.694	141.805	8.096
143.574	141.805	4.496
143.901	141.805	4.114
143.950	141.805	2.983
143.956	141.805	4.100
143.163	141.805	4.749
143.113	141.805	5.749
143.801	141.805	0.000
143.950	141.805	2.983
143.956	141.805	4.100
143.163	141.805	4.749
143.113	141.805	5.749
143.211	141.805	9.746
143.261	141.805	8.746
143.694	141.805	8.096
143.574	141.805	4.496
143.901	141.805	4.114
143.950	141.805	2.983
143.956	141.805	4.100
143.163	141.805	4.749
143.113	141.805	5.749
143.801	141.805	0.000
143.950	141.805	2.983
143.956	141.805	4.100
143.163	141.805	4.749
143.113	141.805	5.749
143.211	141.805	9.746
143.261	141.805	8.746
143.694	141.805	8.096
143.574	141.805	4.496
143.901	141.805	4.114
143.950	141.805	2.983
143.956	141.805	4.100
143.163	141.805	4.749
143.113	141.805	5.749
143.801	141.805	0.000
143.950	141.805	2.983
143.956	141.805	4.100
143.163	141.805	4.749
143.113	141.805	5.749
143.211	141.805	9.746
143.261	141.805	8.746
143.694	141.805	8.096
143.574	141.805	4.496
143.901	141.805	4.114
143.950	141.805	2.983
143.956	141.805	4.100
143.163	141.805	4.749
143.113	141.805	5.749
143.801	141.805	0.000
143.950	141.805	2.983
143.956	141.805	4.100
143.163	141.805	4.749
143.113	141.805	5.749
143.211	141.805	9.746
143.261	141.805	8.746
143.694	141.805	8.096
143.574	141.805	4.496
143.901	141.805	4.114
143.950	141.805	2.983
143.956	141.805	4.100
143.163	141.805	4.749
143.113	141.805	5.749
143.801	141.805	0.000
143.950	141.805	2.983
143.956	141.805	4.100
143.163	141.805	4.749
143.113	141.805	5.749
143.211	141.805	9.746
143.261	141.805	8.746
143.694	141.805	8.096
143.574	141.805	4.496
143.901	141.805	4.114
143.950	141.805	2.983
143.956	141.805	4.100
143.163	141.805	4.749
143.113	141.805	5.749
143.801	141.805	0.000
143.950	141.805	2.983
143.956	141.805	4.100
143.163	141.805	4.749
143.113	141.805	5.749
143.211	141.805	9.746
143.261	141.805	8.746
143.694	141.805	8.096
143.574	141.805	4.496
143.901	141.805	4.114
143.950	141.805	2.983
143.956	141.805	4.100
143.163	141.805	4.749
143.113	141.805	5.749
143.801	141.805	0.000
143.950	141.805	2.983
143.956	141.805	4.100
143.163	141.805	4.749
143.113	141.805	5.749
143.211	141.805	9.746
143.261	141.805	8.746
143.694	141.805	8.096
143.574	141.805	4.496
143.901	141.805	4.114
143.950	141.805	2.983
143.956	141.805	4.100
143.163	141.805	4.749
143.113	141.805	5.749
143.801	141.805	0.000
143.950	141.805	2.983
143.956	141.805	4.100
143.163	141.805	4.749
143.113	141.805	5.749
143.211	141.805	9.746
143.261	141.805	8.746
143.694	141.805	8.096
143.574	141.805	4.496
143.901	141.805	4.114
143.950	141.805	2.983
143.956	141.805	4.100
143.163	141.805	4.749
143.113	141.805	5.749
143.801	141.805	0.000
143.950	141.805	2.983
143.956	141.805	4.100
143.163	141.805	4.749
143.113	141.805	5.749
143.211	141.805	9.746
143.261	141.805	8.746
143.694	141.805	8.096
143.574	141.805	4.496
143.901	141.805	4.114
143.950	141.805	2.983
143.956	141.805	4.100
143.163	141.805	4.749
143.113	141.805	5.749
143.801	141.805	0.000
143.950	141.805	2.983
143.956	141.805	4.100
143.163	141.805	4.749
143.113	141.805	5.749
143.211	141.805	9.746
143.261	141.805	8.746
143.694	141.805	8.096
143.574	141.805	4.496
143.901	141.805	4.114
143.950	141.805	2.983
143.956	141.805	4.100
143.163	141.805	4.749
143.113	141.805	5.749
143.801	141.805	0.000
143.950	141.805	2.983
143.956	141.805	4.100
143.163	141.805	4.749
143.113	141.805	5.749
143.211	141.805	9.746
143.261	141.	